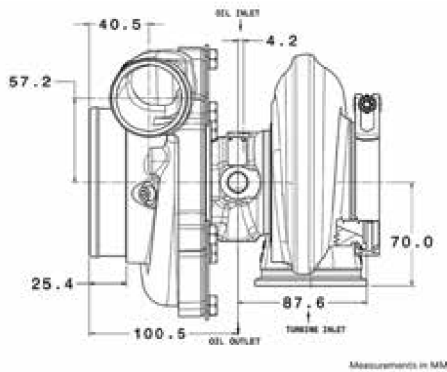


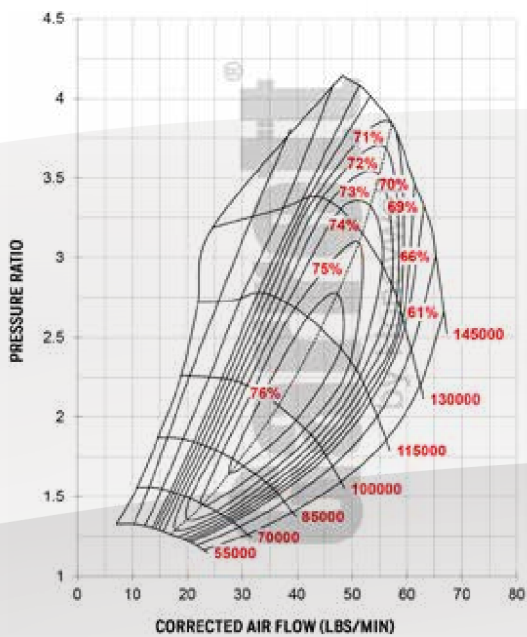
# GTX3576R GEN II NEW PRODUCT

**Honeywell**

Horsepower: 400 - 750  
Displacement: 2.0L- 4.5L



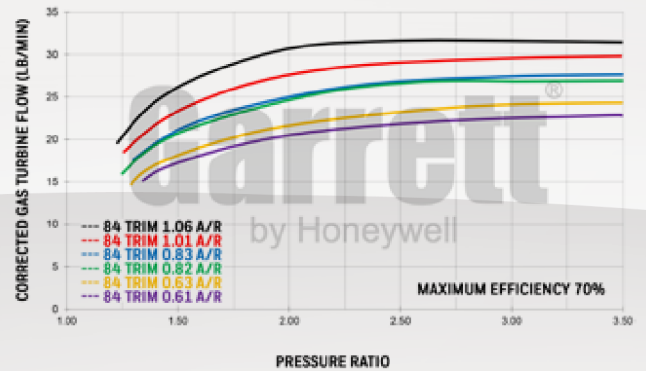
## COMPRESSOR MAP



## FEATURES:

- ◆ GEN 2 AERODYNAMICS FEATURE INCREASED HORSEPOWER RANGE
- ◆ NEW FULLY MACHINED SPEED SENSOR PORT. DETAILS ON PG. 56
- ◆ SOLD AS ASSEMBLY KITS (SUPER CORE + TURBINE KIT)
- ◆ NEW REVERSE ROTATION OPTIONS AVAILABLE

## EXHAUST FLOW CHART



Super Core Reference Data		Compressor				Turbine		
		Inducer	Exducer	Trim	A/R	Inducer	Exducer	Trim
GTX3576R Standard Rotation		58mm	76mm	58	0.60	68mm	62mm	84
GTX3576R Reverse Rotation		58mm	76mm	58	0.60	68mm	62mm	84
Notes:	Assembly Kit PN	Super Core PN	Turbine Kit PN	A/R	Inlet	Outlet	Wastegate	Divided
Assembly Kit PN Includes Super Core and Turbine Kit	856801-5048S	851154-5003S	740902-0012	0.63	T3	V-Band	Free Float	N
	856801-5047S	851154-5003S	740902-0011	0.82	T3	V-Band	Free Float	N
	856801-5046S	851154-5003S	740902-0010	1.06	T3	V-Band	Free Float	N
	856801-5051S	851154-5003S	740902-0018	0.63	T4	V-Band	Free Float	N
	856801-5050S	851154-5003S	740902-0017	0.82	T4	V-Band	Free Float	N
	856801-5049S	851154-5003S	740902-0016	1.06	T4	V-Band	Free Float	N
	856801-5060S	851154-5003S	740902-0033	0.61	V-Band	V-Band	Free Float	N
	856801-5059S	851154-5003S	740902-0032	0.83	V-Band	V-Band	Free Float	N
Reverse Rotation Configuration	856801-5058S	851154-5003S	740902-0031	1.01	V-Band	V-Band	Free Float	N
	856803-5001S	844626-5003S	740902-0056	0.61	V-Band	V-Band	Free Float	N
	856803-5002S	844626-5003S	740902-0057	0.83	V-Band	V-Band	Free Float	N
	856803-5003S	844626-5003S	740902-0058	1.01	V-Band	V-Band	Free Float	N

**Garrett**  
by Honeywell